

Bird repeller with a PIR sensor

08850089

Before using this device, please, read carefully the manual

Birds and small rodents have a very good sense of hearing. That is why as soon as they hear the sound of one of their natural predators, they leave the space as quickly as possible thanks to their natural instincts. Many birds (sparrows, blackbirds, pigeons, starlings, crows, magpies) and most small rodents are often attacked by predators such as for example, falcons or owls.

This bird repeller uses trick recordings of real birds of prey, such as hawks, falcons, eagles, or owls. Thanks to this humane and ecological method, the repeller will solve your problem with birds without harming people or other creatures.

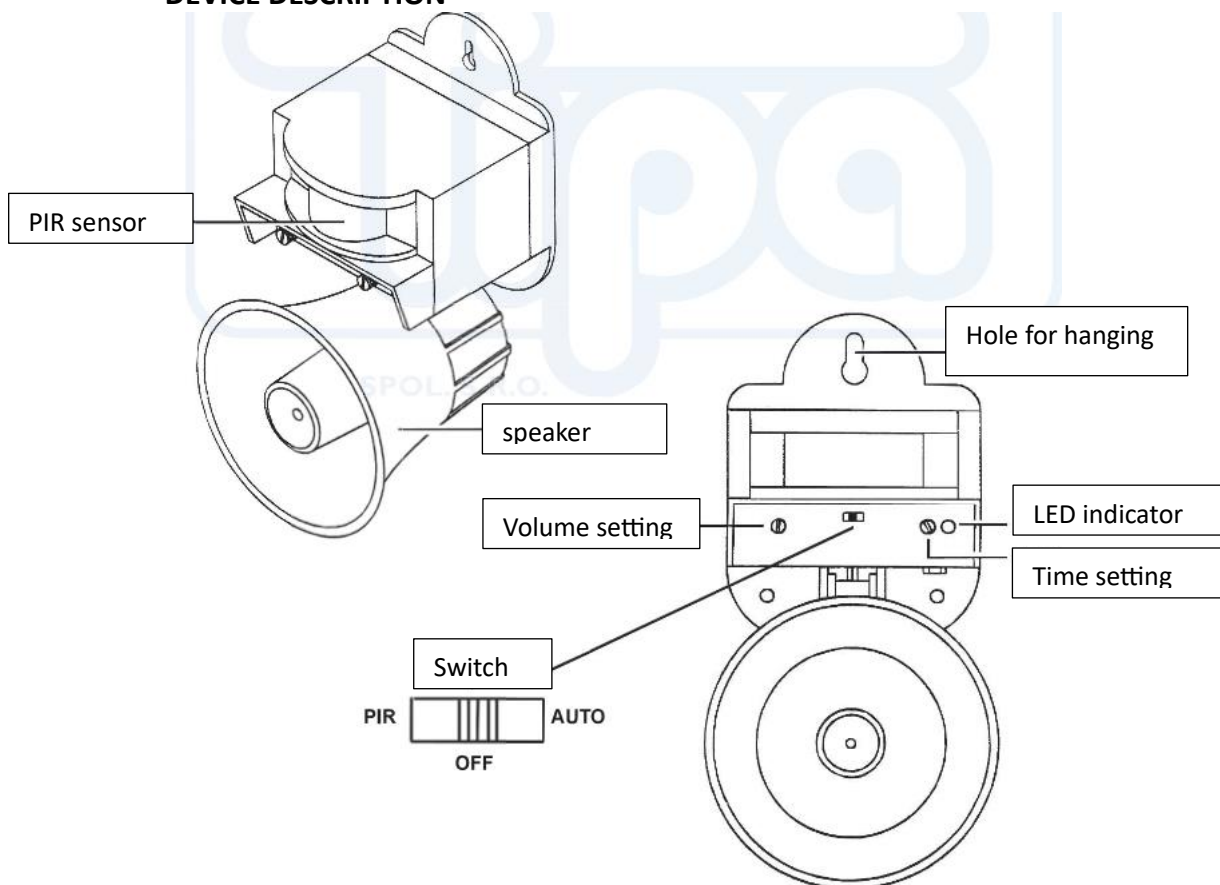
Using the PIR sensor, you can use the device as a special safety device. As soon as it detects an attacker's movement, the device activates itself. Via the VOLUME button, you can set the volume.

PROPERTIES

The device can work in 2 modes:

- Activation by motion sensor (suitable for smaller areas)
- Setting a timer and the repeller activates itself during the set interval

DEVICE DESCRIPTION



DEVICE INSTALLATION

A suitable place for the installation is a place protected from weather influences, for example, next to a window or door at an installation height of 1 m – 2.5 m. Place the speaker facing down. Connect the power adapter to the mains and set the switches and buttons according to your requirements.

PIR WORKING MODE

When setting in the PIR mode, you can set the device distance of up to 10 m with a detection angle of up to 130°. The LED indicator shines continuously. As soon as birds fly into the detected area, the device will start playing recordings of birds of prey and that will scare the intruders and then they will fly away. You can set a suitable volume with the volume regulator. The time interval does not work in the PIR mode.

AUTO WORKING MODE

Set the interval of playing the sounds of birds of prey from 5 to 30 minutes by turning the knob. And at the same time set the required volume. The LED indicator will flash according to the set interval and it will flash slower and in a longer interval. For monitoring larger areas (for example: on farms), we recommend using more repellents and setting them to the AUTO mode, and adjusting the timers so that the sounds are being played from several devices alternately.

The built-in lighting sensor blocks the devices after dark since the activity of most birds is reduced. You can also turn off the device by switching it to the OFF position.

SAFETY WARNINGS

- Do not immerse the device in water or other liquids.
- Do not modify and inner parts of the device.
- Make sure that the lens is clear. To clean it, use a damp cloth, do not use any benzine, alcohol, or solvent.

TECHNICAL INFORMATION

Power source (adapter):	110-120V AC / 220-240V AC
Frequency:	50 / 60Hz
Output:	12V DC
Detection angle of the motion sensor:	130°
Motion sensor range:	up to 10 m
Timer setting:	adjustable from 5 to 30 minutes
Noise volume:	adjustable, max. 105 dB
Operating temperature:	0 to 50°C
Material:	plastic
Dimensions:	115 x 200 x 120 mm